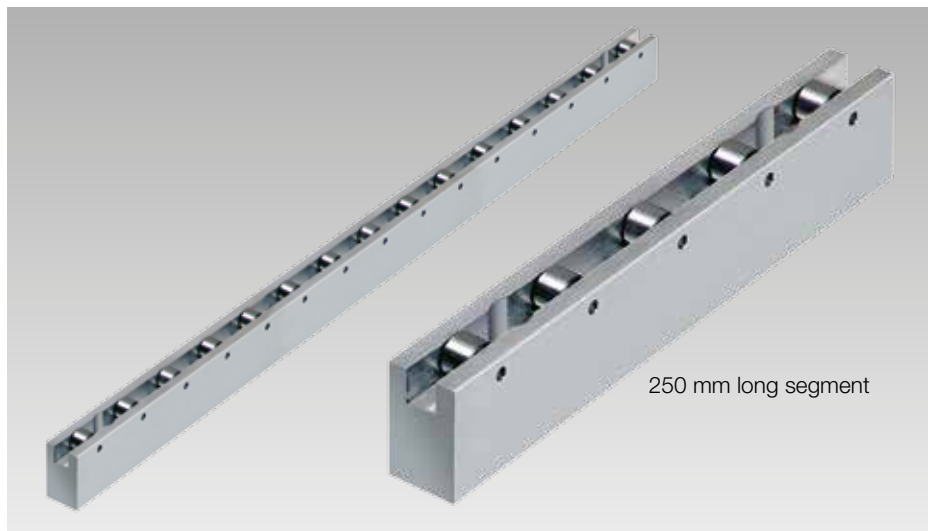




Roller Conveyors, Mechanical
without spring pack, without lifting of the rollers
max. load 156 kN/m



Advantages

- Universal use
- Simple and sturdy design
- Any length up to 2500 mm is possible using modular segments

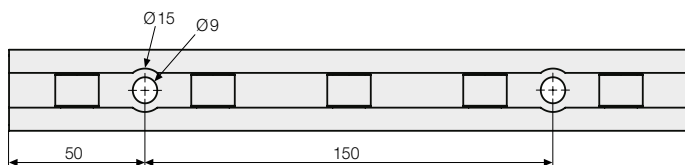
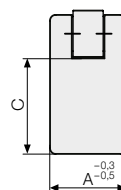
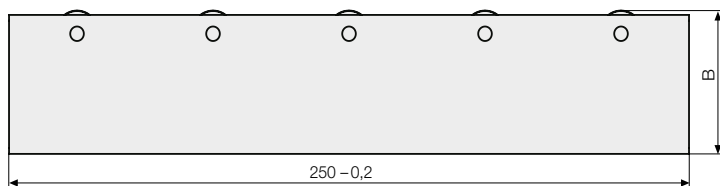
Application

- In T-slots and rectangular slots of the press bed for easy die change without any problems
- Die change streamlining

Description

These universal roller conveyors have been developed for easy and safe conveying of heavy dies. All roller conveyors are manufactured in segments of 250 mm to which further segments can be added until the desired length is obtained. The base bodies of the roller conveyors are made of a high-strength and robust aluminium alloy. The roller bars are fixed through mounting holes provided in the segments.

Dimensions / Technical data



Special versions

- Overall lengths of max. 2900 mm in a single-piece design
- Increased load by a closer arrangement of the rollers



- Increased load by package design



Bar width A	[mm]	22	28	36
Load/segment	[kN]	32	32	39
Load/m	[kN]	128	128	156
Segment length	[mm]	250	250	250
Load/roller	[kN]	6.4	6.4	8.0
Roller Ø x width	[mm]	16 x 12	16 x 12	19 x 12
B	[mm]	39.5	49.5	62.5
C	[mm]	23	33	43
Part no.		8 1834 5000	8 1834 6000	8 1834 7000